



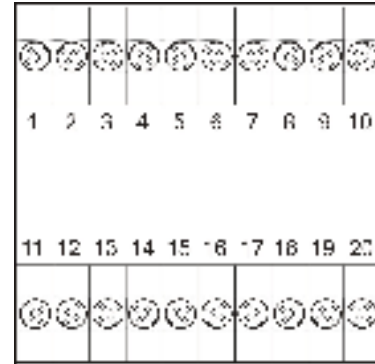
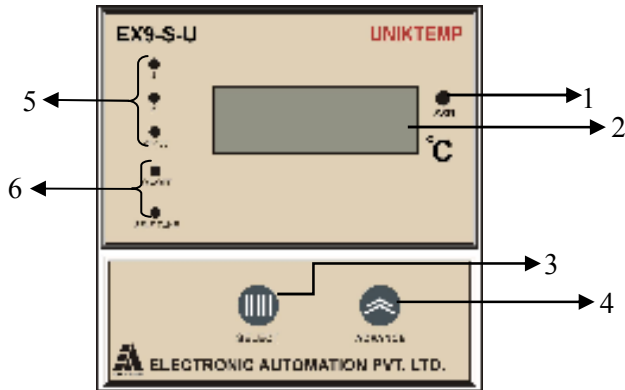
OPERATING INSTRUCTIONS
Product : Universal Temperature Controller
Model : : EX9-S-U

OPI No.: OPI/078

PAGE : 01 of 03

DATE : 05-12-2007

Front panel layout:



Front Panel Details

1. **RELAY LED:** Indicates the relay status when the relay changeover takes place.
2. **Display** SET & PROCESS temperature
3. **SELECT:** Programming Switch
4. **ADVANCE:** Programming Switch
5. **SENSOR LED:** Indicates sensor selected
6. **FUNCTION LED:** Indicates function selected

Terminal Details

- 1 Thermocouple +ve / RTD1
- 2 Thermocouple -ve / RTD2
- 3 RTD3 / Short 2,3 for 2 wire RTD
- 5 & 6 Short for program enable
- 9 -ve SSR Drive Output
- 10 +ve SSR Drive output
- 19, 20 Universal Source

FUNCTION:

Uniktemp series Model EX9-S-U (96 x 96) series is a universal temperature controller with universal voltage input on same terminals, selectable sensor input with On/Off or self-tune function. On power application the display shows ambient temperature and depending on the function and set value, the unit controls the temperature.

On/Off function:

In this mode, the controller switches off the load only when the process temperature equals or exceeds the set temperature. The load switches ON again after hysteresis.

Self-tune function:

In self-tune function, load will be ON continuously till process temperature reaches 50% of the set value, after reaching 50% on -off action starts. This On/Off cycle depends upon rate of change of temperature of heating system. Once process value reaches the set value, controller will automatically adjusts the On & Off cycles, such that the set temperature is maintained.

Universal Input voltage:

Uniktemp series operates with input voltage from 85V AC/DC to 270V AC/DC (Y-version) and provides wide operating voltage range.

Sensor open/Sensor reverse: It is indicated by 'SF' on display and SSR output is Off.

Universal Input: Uniktemp series accepts the universal input as per the table

Type of sensor	Temperature Range in deg C	Resolution	ON-OFF	Self Tuned
J type (Fe/K)	0 to 600	1	√	√
K type (Cr/Al)	0 to 1200	1	√	√
RTD (PT-100)	0 to 300(self-tune)	1	-	√
RTD (PT-100)	-100 to+300(On-Off)	1	√	-

SENSOR AND TERMINAL CONNECTIONS:

- 1) Short rear terminal 5 & 6 to enable programming.
- 2) Connect the sensor to the terminals as per the terminal details.
- 3) Connect the source voltage 85 to 270 VAC/DC to the terminals 19 & 20 and display shows ambient temperature.

SELECTION OF SENSOR AND FUNCTION:

- 1) Press the "SELECT" button on front panel, the display shows "PRS" to program the type of sensor.
- 2) Press "ADVANCE" button on front panel to select the J,K or RTD sensors which is indicated by front panel LEDs.
- 3) Again press "SELECT" button, display shows "PRF" to select the required On-Off or Self-tune function.
- 4) Press "ADVANCE" to select On/Off or self-tune functions.

PROGRAMING / SETTING OF DESIRED TEMPERAURE:

- 1) Press "SELECT" button. The first Most Significant Digit will be seen blinking.
 - a) If RTD sensor is being used, then you can select whether temperature to be set is -ve or +ve by using ADVANCE button (If +ve is selected, then display screen will show zero, else -ve sign will be displayed).
 - b) If "K" thermocouple is being used, you can toggle between 0 & 1 by pressing ADVANCE button.
 - c) If "J" thermocouple is being used, you can skip this step.
- 2) Press SELECT button. The second Most Significant Digit will be seen blinking. By pressing ADVANCE button select the desired digit.
- 3) Repeat the Step 2 for setting the third Most Significant Digit and Least Significant Digit.
- 4) Once the required temperature has been set, press the SELECT button for setting hysteresis in case of On/Off function.

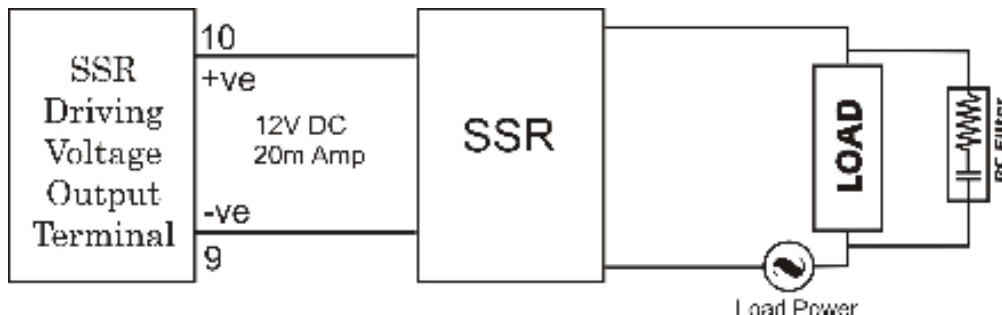
- d) In case function on/off has been selected, display shows the earlier setting viz. "H03" with "0" blinking. The desired hysteresis can be selected by pressing the ADVANCE button between 2 to 20 degrees centigrade.
- e) In case function self tune has been selected, this step gets bypassed.
- 5) Press SELECT button. The ambient/actual temperature is displayed on the screen and then switch Off the power.
- 6) Take out the link from the terminals 5 & 6 to avoid any unauthorized tampering.
- 7) Switch ON the power and the unit is ready for process.

PRECAUTION DURING USE:

- a) Connect RC filter provided with the controller, as shown in the diagram to avoid electrical noise interference, generated by switching OFF inductive loads.
- b) Use separate shielded wire for sensor input.

Note: Incase of cooling system, set temperature at cooling system has to be switched ON and hysteresis to switch OFF the system.

Temperature
Controller



NOTE:

- Usually the output is relay, SSR, 4-20mA or 0-10V DC.
- In unlikely event, these outputs can malfunction irrespective of which make of controller is used and hence our controller is not exception.
- Therefore customer should take care by using secondary protection like blind On/Off controller or thermal cut off protection to avoid any damage to the system.
- The end user is requested to study and decide the product to suit its application and environment. The company does not accept any consequential liabilities arising out of use of this product.